

KUNZMANN®

FRÄSMASCHINEN

WF 410 MA

WF 610 MA

UNIVERSAL MILLING MACHINE



UNIVERSALITY

The main spheres of application for the WF 410 MA and the WF 610 MA are workshops and training as well as the manufacturing of precise individual parts and small series. These modern and conventional universal milling machines are outstanding in their high productivity, maximum precision, and simple handling.

The vertical milling head has an extending quill and can quickly be swiveled through $\pm 90^\circ$. For horizontal machining, the vertical milling head can be swiveled to one side on a swivel arm in a few simple steps, freeing the horizontal milling spindle and permitting machining with or without an arbor holder and long milling spindle.

In place of the rigid angular table, the WF 410 MA and WF 610 MA can also be equipped with a universal tilting and swiveling table including a digital readout.

Even in the basic version, the machines have an easy to operate Heidenhain 3 axis digital readout.

HIGH PERFORMANCE

Modern, high torque drives as well as a solid machine column with hardened flat guideways also make it possible to process materials that are difficult to machine. Spindle speeds and feed rates can be steplessly adjusted via potentiometer.

MAXIMUM PRECISION

Due to the steplessly adjustable single feed drives and backlash-free ball screws, the WF 410 MA and WF 610 MA permit exact positioning and effortless up- and down-milling.

In addition, the machines have linear path measuring systems in all axes.

Automatic axis clamping via the feed motor brakes ensures operational safety and guarantees a consistently high long-term accuracy of the machine geometry.

SIMPLE HANDLING

Due to optimal accessibility and practice orientated arrangement of the operating elements the WF 410 MA and WF 610 MA are flexible, compact, and easy-to-handle machines.

Consequently, the 3 axis digital readout is mounted centrally on a rotary control desk attached to a swivel arm. As a result, the working area and controls can be reached easily by the machine operator.

Hydraulic tool clamping, automatic central lubrication and separate coolant system are standard equipment.



↑ WF 610 MA operator view



← WF 610 MA side view

The machine is manually operated and has a 3 axis digital readout.

You can call **three basic functions** via **key switch**.

You can remove the key in any position. The operator's key management guarantees that only qualified operators can call the respective operating modes.

1. Manual Mode (3 axis digital readout)

- ▶ Axis direction buttons
- ▶ Incremental jog function
- ▶ Manual handwheels
- ▶ Electronic handwheel (option)
- ▶ You can use the quill for manual drilling operations.

2. Positioning (3 axis digital readout)

- ▶ KUNZMANN positioning function:
 - You can set and travel a positioning block with
 - incremental or absolute dimensions
 - radius compensation
- ▶ You can use the quill for manual drilling operations.



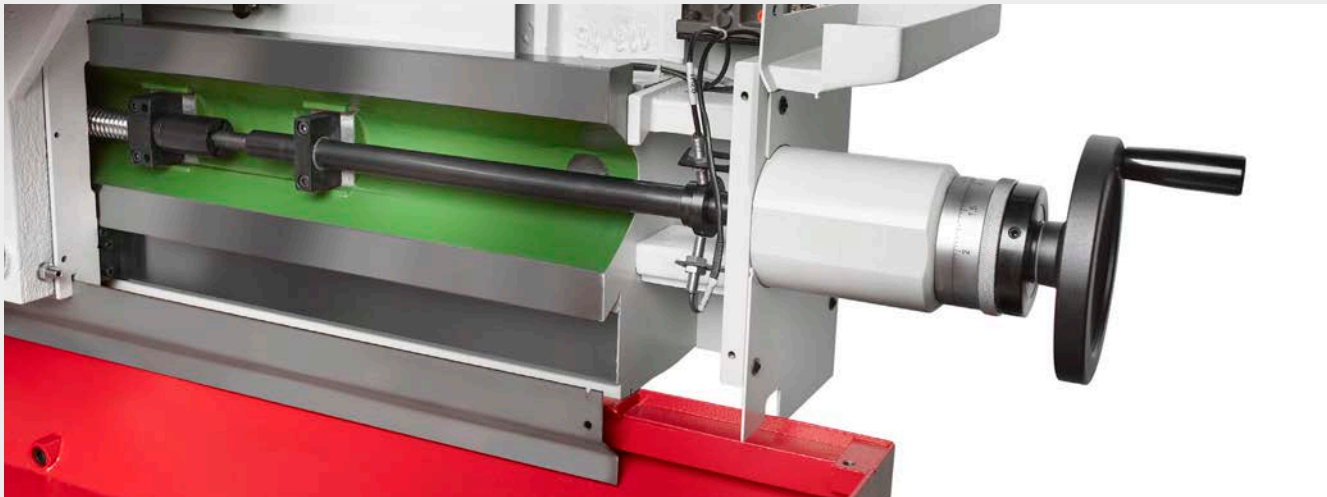
SAFETY AND TIDINESS

MECHANICAL SAFETY HANDWHEELS

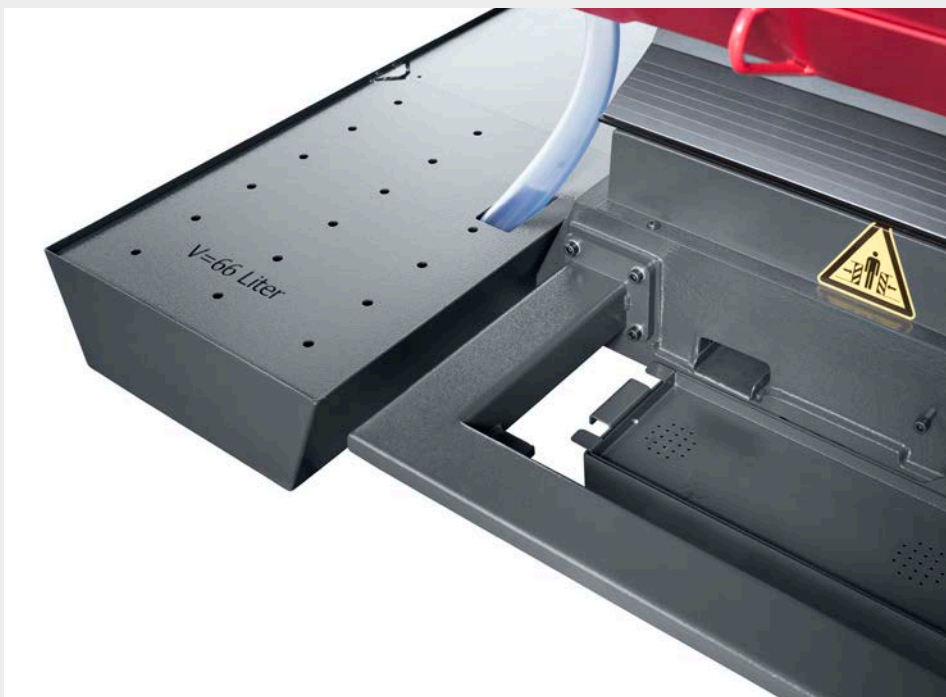
The machine is equipped with mechanical handwheels for manual operations. The ergonomic position of the handwheels guarantees ideal access to and view on workpieces. As soon as a handwheel is activated, "Handwheel X/Y/Z axis active" is displayed and, for safety reasons, you cannot move the machine via the axis selection buttons anymore. The axes are automatically in a safe position, e.g. STO (Safe Torque Off).

OIL DRIPPING PAN

Track oil is directly drained due to the special KUNZMANN design. The machine base thus remains clean and oil-free. This reduces the risk of contamination and accidents around the machine. At the same time, the coolant durability is prolonged, as oil and coolant are drained separately. The collected oil can easily be taken and disposed of from the oil dripping pan.



↑ Mechanical handwheel X axis



← Oil dripping pan and coolant tank

ARBOR HOLDER

The arbor holder is an additional equipment for horizontal milling. In just a few steps, it is mounted to the upper slide of the machine and allows the efficient use of long cutter spindles with one or more disk milling cutters up to a diameter of 150 mm.

PLEXIGLAS SPLASH PROTECTION

Attached at the angular table, folding windows (cannot be combined with universal tilting and swiveling table)

UNIVERSAL TILTING AND SWIVELING TABLE

The universal tilting and swiveling table allows the operator to position the workpiece in different angular positions. The adjustment is done manually using a handwheel while the rotation angle of the clamping plate is digitally indicated on the display.

DIGITAL READOUT FOR QUILL STROKE

The quill stroke is comfortably and digitally displayed in the control system.

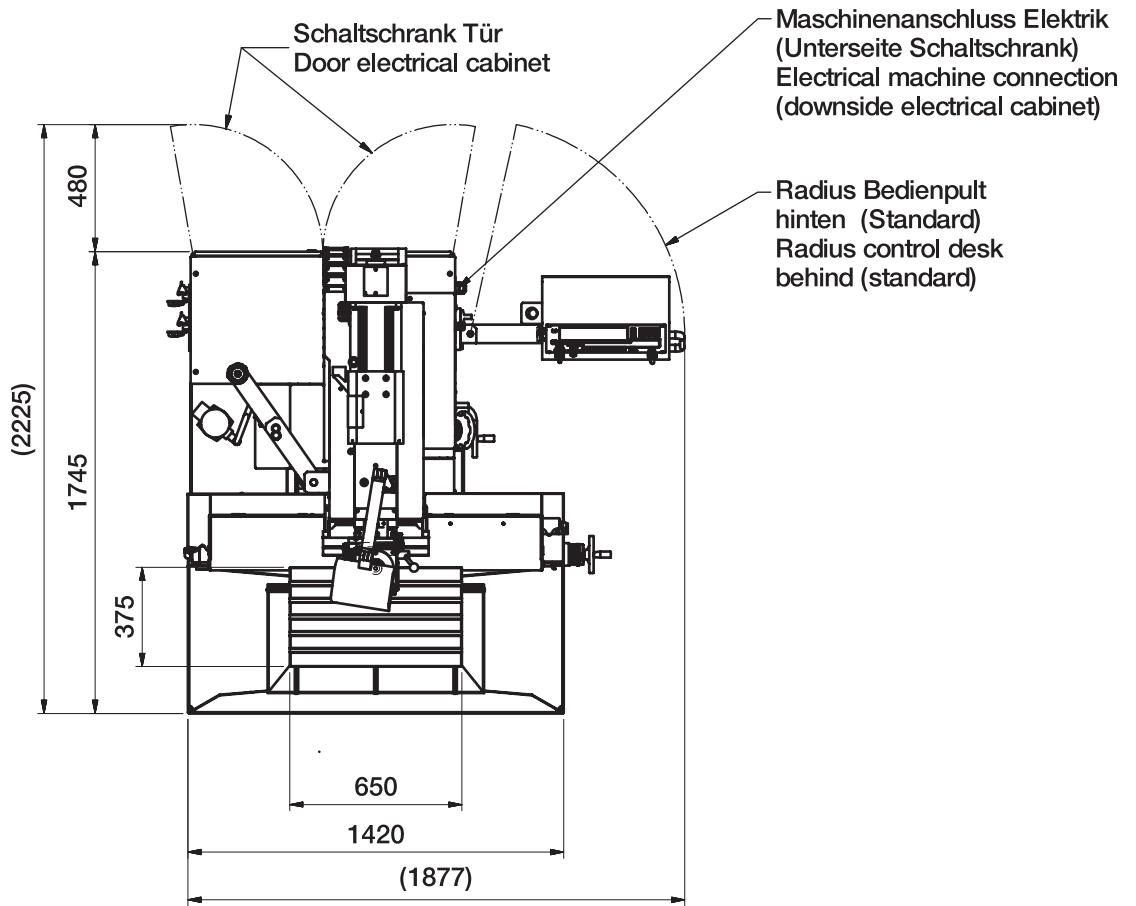


↑ Universal tilting and swiveling table

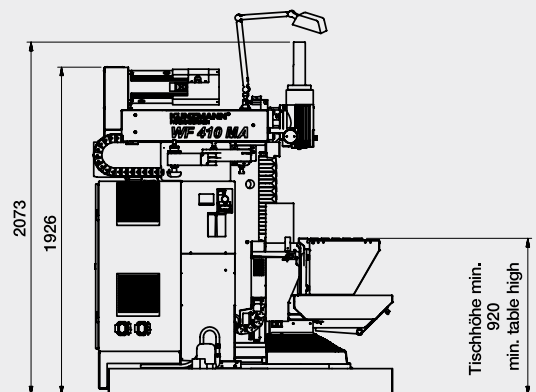
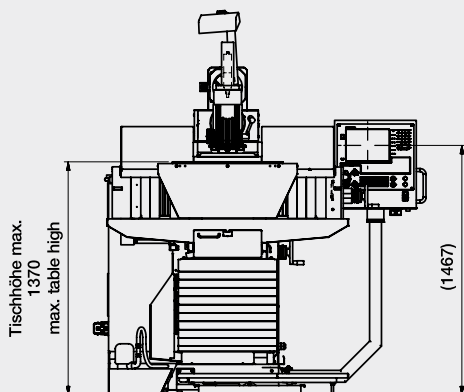
← WF 410 MA with Plexiglas splash protection, arbor holder, horizontal spindle

LAYOUTS

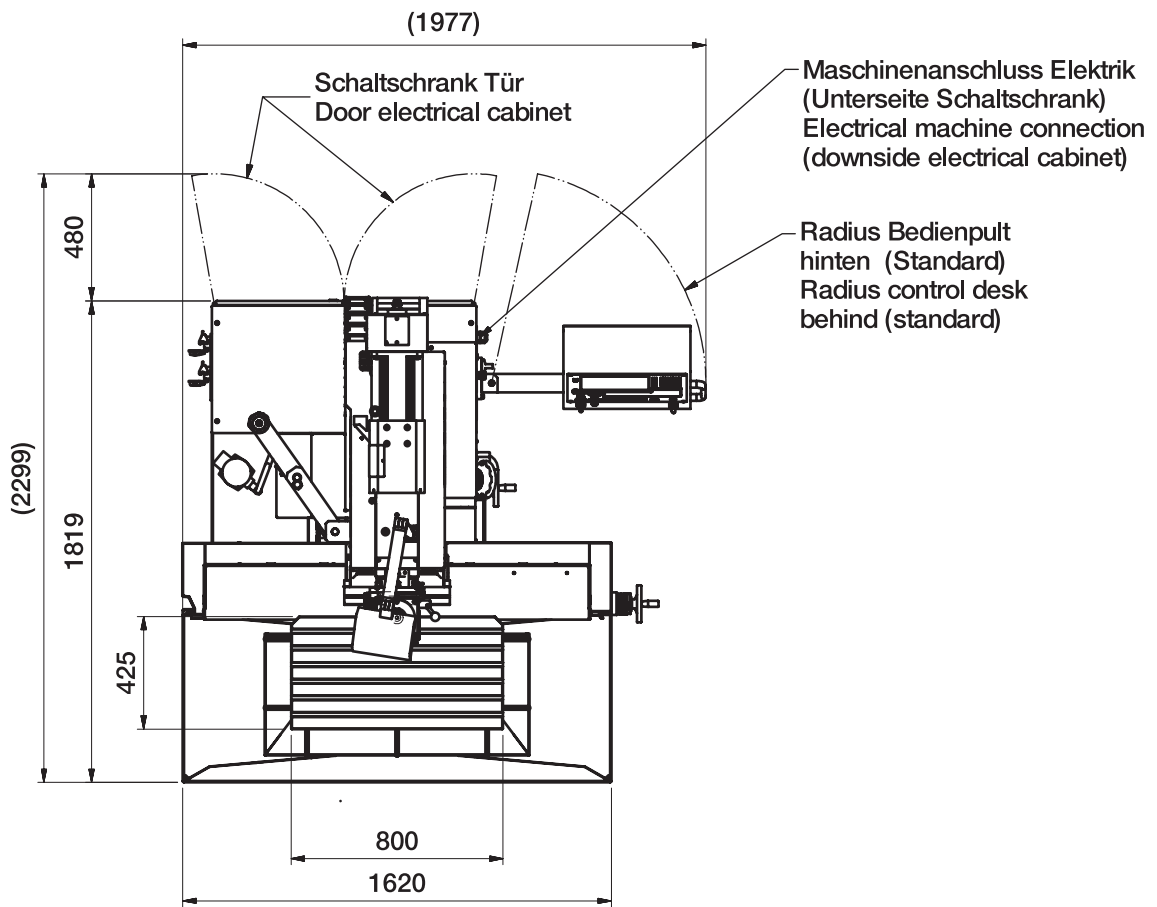
WF 410 MA



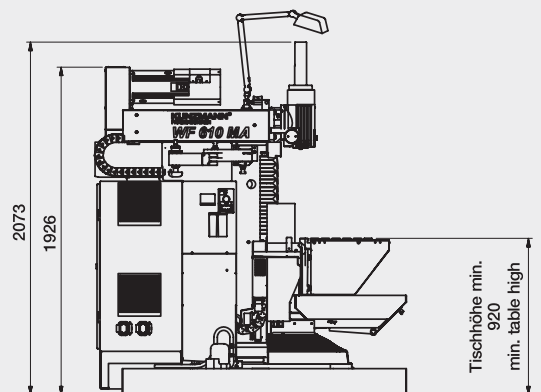
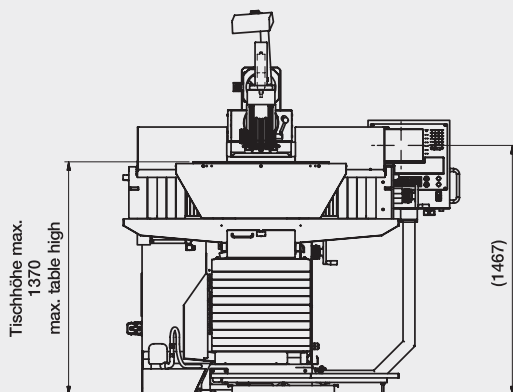
WF 410 MA



WF 610 MA



WF 610 MA



PERFORMANCE CHART

HORIZONTAL/VERTICAL SPINDLE 4,500 RPM

The universal milling machines KUNZMANN WF 410 MA and WF 610 MA are equipped with a two-stage gear box which is shifted automatically. Additionally, the spindle speed in each gear stage is infinitely adjustable through a potentiometer.

► Performance

8.5 kW (100% of duty cycle)*

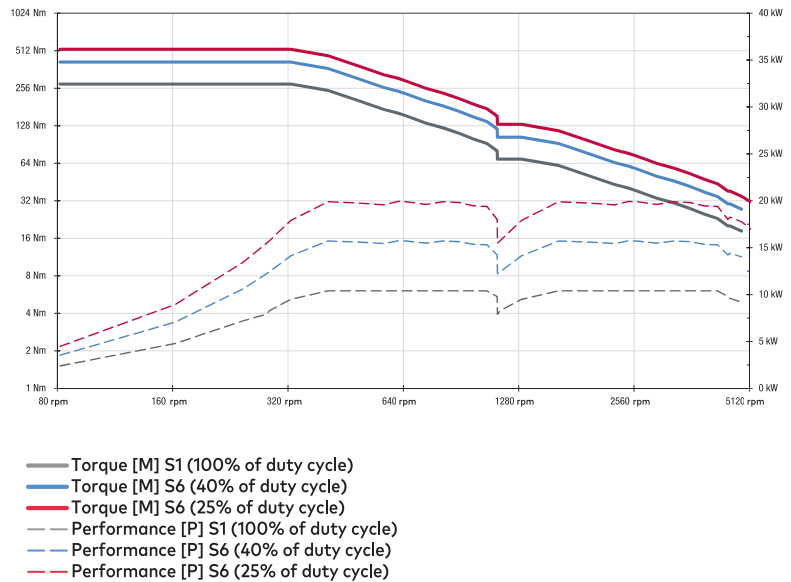
16.2 kW (25% of duty cycle)*

► Torque

81 Nm (100% of duty cycle)*

154 Nm (25% of duty cycle)*

*(at 1,000 rpm)



STANDARD EQUIPMENT

- ▶ Vertical milling head with extending quill
- ▶ Horizontal spindle
- ▶ Stable cast iron column with flat guideways in all axes (hardened)
- ▶ Ball screws
- ▶ Automatic axis clamping
- ▶ Hydraulic tool clamping
- ▶ Automatically shifted gear stage
- ▶ Distance-coded linear path measuring systems
- ▶ Mechanical handwheels
- ▶ Automatic central lubrication system
- ▶ Chip tray
- ▶ Coolant fluid tank, free-standing, 66 liters
- ▶ LED machine light
- ▶ Leveling elements

OPTIONS

- ▶ Rigid angular table:
WF 410 MA: 650 x 375 mm
WF 610 MA: 800 x 425 mm
- ▶ Universal tilting/swiveling table
650 x 395 mm (rotating angle digitally indicated)
- ▶ Digital readout for quill stroke
- ▶ Plexiglas splash protection
- ▶ Splash guard cabin
- ▶ Minimum-quantity lubrication system
- ▶ Arbor holder
- ▶ Dividing unit

Working range	Longitudinal, X axis	410 / 610 mm
	Cross, Y axis	350 / 400 mm
	Vertical, Z axis	450 mm
Main spindle drive	Horizontal/vertical spindle	
* at 1,000 rpm	Performance at 100% of duty cycle*	8,5 kW
	Performance at 25% of duty cycle*	16,2 kW
Spindle speed	Horizontal and vertical spindle steplessly adjustable, 2 mechanical gear stages	1 - 4,500 rpm
Feed drives	AC single drives	
Feed	X and Y axis	5 m/min
	Z axis	4 m/min
Swiveling range of vertical milling head		+/- 90°
Vertical quill	Stroke	70 mm
Tool taper		SK 40 DIN 69871 / 2080 / 7388
Operating voltage		400 V / 50 Hz
Control	HEIDENHAIN	3 Axis Digital Readout
Power consumption		approx. 12 kVA
Machine weight	WF 410 MA	approx. 1,800 kg
	WF 610 MA	approx. 2,000 kg



Visit our website

KUNZMANN[®]
FRÄSMASCHINEN

KUNZMANN Maschinenbau GmbH
Tullastraße 29-31, 75196 Remchingen, GERMANY
Phone: +49 (0) 7232/36 74-0
Fax: +49 (0) 7232/36 74-74
E-mail: info@kunzmann-fraemaschinen.de
www.kunzmann-fraemaschinen.de

- ▶ Manufacturer of universal milling machines and vertical machining centers
- ▶ Competent technological support
- ▶ Customer-specific application technology
- ▶ Individual programming trainings
- ▶ Prompt and convenient support service

Our strong partner

 **WEILER**